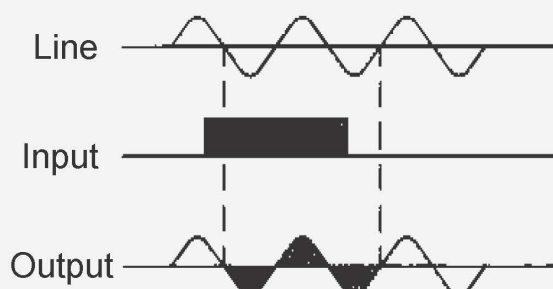


Control method / 控制方式

Zero cross trigger method

Output will be turned ON or Turned OFF only on the Zero point of sine wave, that may avoid to occur the EMI or RFI. Specially suited to control the resistive, capacitive and non-saturated inductive load.

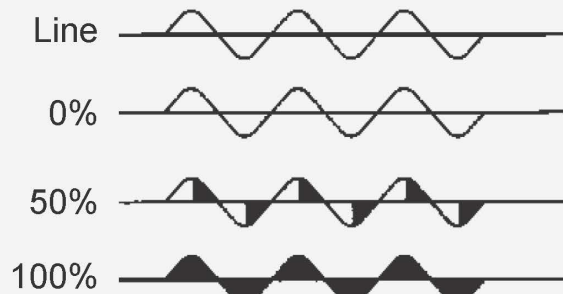
輸出只有在正弦波的零點上有輸入訊號時才會打開或關閉，以避免產生突波或EMI / RFI。特別適用於控制阻抗性或電容性或不飽和感抗性等負載。



Variable resistance control method (Trimmer control)

Power output is controlled by the Trigger angle of the Triac that is controlled with variable resistor.

(250KΩ/110VAC, 500KΩ/220VAC, 1MΩ/220VAC)
 以可變電阻控制Triac的觸發角來控制輸出功率。
 (250KΩ/110VAC, 500KΩ/220VAC, 1MΩ/380VAC)



Application hints / 應用說明

Input	NPN	Output status	NO	Input	PNP	Output status	NO	Input	L.S.	Output status	NO
Input	NPN	Output status	NC	Input	PNP	Output status	NC	Latch circuit (AC to AC)			

Single phase Plug type Solid State Module

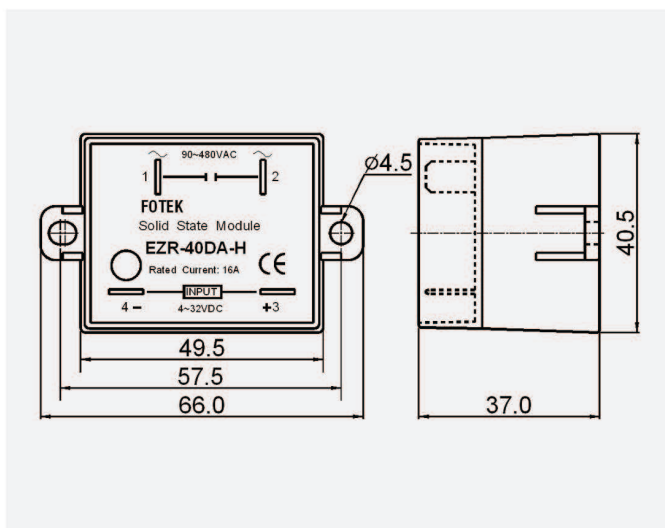
■ Specification [Rated current corresponding to Resistive load]

Type	型式	DC to AC	
Model	型號	EZR-40DA	EZR-40DA-H
Rated current	額定電流	16A max.	16A max.
Output voltage	輸出電壓	24 ~ 380VAC	90 ~ 480 VAC
Input voltage	輸入電壓	4 ~ 32 VDC	
Trigger current	觸發電流	15 mA max.	
Turn off voltage	關閉電壓	< 3.0 VDC	

Type	型式	AC to AC	
Model	型號	EZR-40AA	EZR-40AA-H
Rated current	額定電流	16A max.	16A max.
Output voltage	輸出電壓	24 ~ 380VAC	90 ~ 480 VAC
Input voltage	輸入電壓	90 ~ 250 VAC	
Trigger current	觸發電流	1 VA max.	
Turn off voltage	關閉電壓	< 35VAC	

General specification / 共同規格		
Surge current	耐突波電流	410A / one cycle
Peak voltage	耐突波電壓	1200VAC
Control method	控制方式	Zero cross switching
Leakage current	洩漏電流	5 mA max.
Voltage drop	輸出壓降	1.6V max.
Response time	反應時間	8.3 ms (60Hz)
Over heat protection	過熱保護	Turn off output over 120°C ; Reset below 110°C
Input immunity	輸入耐突波	2 KV (EN61000-4-4)
Isolation strength	電介強度	4 KVrms (EN60950/VDE0805)
Insulation strength	絕緣強度	100MΩ / 500VDC (EN60950/VDE0805)
Circumstance	工作環境	-40°C ~ +80°C ; 35 ~ 85%RH

■ Outline dimension / 外形尺寸



■ Connection / 接線圖

