

# SC-26X series

DIN 96x48

# MULTI.. FUNCTION COUNTER



**\*Main Features**

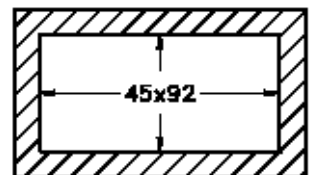
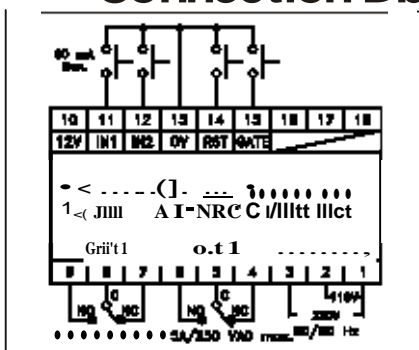
- Single or Two Phase Input Selection
- Binary or DC Counting Selection
- Decimal Point Selectable
- Divisor Range : 1-9999-Multiplier Range
- Output Delay Timer Range : 0.01-9998
- Comply With CE Certification
- EMC /EMI/ESD /LVD



## General Specification

Type	Total Counter	Single Preset Counter	Dual Preset Counter
Model	<b>SC-260</b>	<b>SC-261</b>	<b>SC-262</b>
Fixed Hob::			
Power Supply	UOV /220VAC : 20A > , 50/60 Hz		
DC Power Output	12V /60mA max.		
Input Method	Single or Two Phase Selectable		
Counting Method	Incremental or Decremental Counting Selectable		
Response Frequency	High Speed <A> < 2.5K.CPS, Low Speed <B> < 60 CPS		
Output Method	One Relay		Two Relay
Output Control	NOR IC		Selectable
Contact Rating	5A /250 VAC Max.		
Output Delay Time	0.01-99.998		
Divisor	Range : 1-9999		
Multiplier	Range : 001-9999		
Memory Method	EEPROM		
ESD Strength	Over 8KV		
Dielectric Strength	Over 2.5KV/min , Power And Back Terminal		
Isolation Strength	<del>Min. 100MΩ/500VDC , Between Power And Back Terminal</del>		
Operating Temp./Hum.	20°C - +80°C ; 35% - 85% RH		

## Connection Diagram & Dimension



**Inner DIP Switch**

Nr.	Function
1	ON : Two Phase Input
	OFF : Single Phase Input
2	ON : Decreasement Counter
	OFF : Increasement Counter
3	ON : Multiplier
	OFF : Divisor
4	ON : Setting of Divisor or Multiplier
	OFF : Counting Status

**A/B Slide Switch**

Counting	Hi-Lo, L<2V, 6V<Hi<30V
A	2.5K CPS Max.
B	60 CPS Max.

**Selecting of Decimal Point**

Push The **8 & 8** Key

To Select The Decimal Point

**Setting of Delay Time (t)**

Push The **8** Key 2 Secretary,

Push The **8** Key To Increase The Delay Time

Push The **8** Key To Decrease The Delay Time

**Selecting of Divisor or Multiplier**

Divisor : The Inner DIP Switch #3 Set At "OFF" Position < Range : 1-9999 >

Multiplier : The Inner DIP Switch #3 Set At "ON" Position < Range : 0.001-9.999 >

Set The Inner DIP Switch #4 To "ON" Position,

Push The **8** Key To Increase The Value of Divisor or Multiplier.

Push The **8** Key To Decrease The Value of Divisor or Multiplier.

After Finishing Setting, Please Set The Inner DIP Switch #4 To "OFF" Position.

**Setting of The Preset Value(SV1)**

Push The **8** Key To Set The SV1.

Push The **8** Key To Increase The Preset Value of SV1

Push The **8** Key To Decrease The Preset Value of SV1