



**FL series**

Photoelectric Level Sensor

**光電式液位感測器**

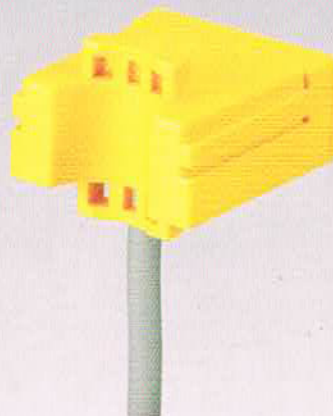
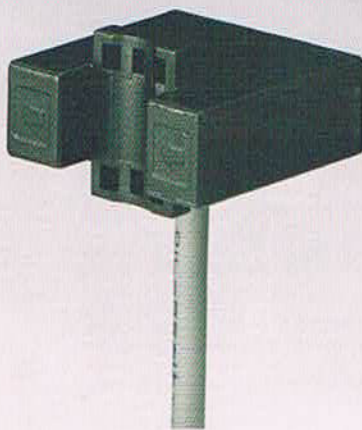
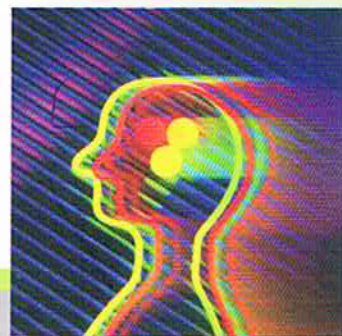
**CP series**

Capacitive Level Sensor

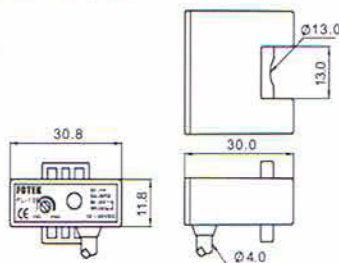
**靜電容式液位感測器**

- Easy to be installed
- High reliability
- NO/NC changeable
- Suited to detect any fluid
- With short circuit protection
- Conformity with CE
- 易於安裝
- 高可靠度
- NO/NC可選擇
- 可檢測任何液體
- 附輸出短路保護
- 符合CE標準

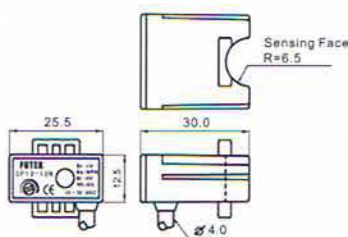
**CE Rohs**



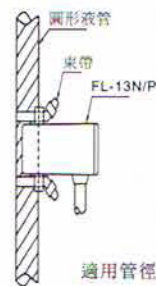
**FL-13N/ FL-13P**



**CP13-10N/ CP13-10P**



**Fixed method / 安裝固定方式**



適用管徑: 7.0φ~13.0φ

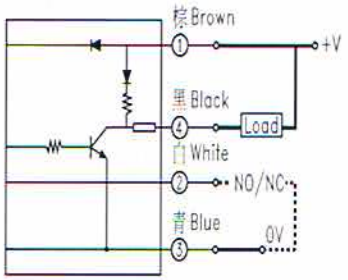
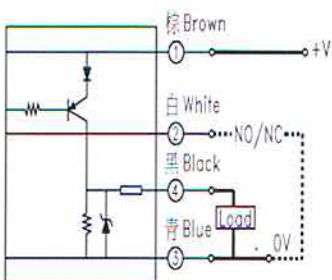
## ■ Photoelectric Level Sensor / 光電式液位感測器

Model	型號	FL-13N	FL-13P
Output method	輸出方式	NPN	PNP
Sensible tube	檢測管徑	7φ ~ 13φ	
Operating voltage	工作電壓	10 ~ 30VDC ; Ripple < 20% of peak to peak	
Current consumption	耗電流	30mA max. (non load)	
Sensitivity adjuster	感度調整器	14 turns trimmer	
Output status	輸出狀態	NO / NC changeable	
Output current	輸出電流	150 mA max.	
Protection circuit	保護電路	Short circuit & polarity reversed protection	
Lead wire	出線長度	4c/4.0φ x 2m	
Housing material	外殼材質	PC (V0/UL)	
Operating circumstance	工作環境	-25°C ~ +80°C ; 35% ~ 85% RH	

## ■ Capacitive Level Sensor / 靜電容式液位檢測器

Model	型號	CP13-10N	CP13-10P
Output method	輸出方式	NPN	PNP
Sensible tube	檢測管徑	7φ ~ 13φ	
Operating voltage	工作電壓	10 ~ 30VDC ; Ripple < 20% of peak to peak	
Current consumption	耗電流	25mA max. (non load)	
Sensitivity adjuster	感度調整器	14 turns trimmer	
Output status	輸出狀態	NO / NC changeable	
Output current	輸出電流	150 mA max.	
Protection circuit	保護電路	Short circuit & polarity reversed protection	
Lead wire	出線長度	4c/4.0φ x 2m	
Housing material	外殼材質	PBT (V0/UL)	
Operating circumstance	工作環境	-25°C ~ +80°C ; 35% ~ 85% RH	

## ■ Output circuit / 輸出回路

NPN	PNP	Output status
		<p>NO : White wire is opened 白色線開路</p> <p>NC : White wire is connected to 「0V」 白色線與「0V」短路</p>

FOTEK CONTROLS CO., LTD.

Copy right @ FOTEK CONTROLS CO., LTD.  
2009/5/1

Specification may be modified without  
notice in advance.

規格變更恕不事先通知

B-42